

Electro *Kinetic* Technologies

Ergonomic Solutions for Transport



PROUDLY
MADE IN AMERICA

REDUCE employee injuries from strain and fatigue

SAFELY transport materials across various surfaces and inclines

IMPROVE your ergonomic footprint

BOOST employee morale and productivity

INCREASE your bottom line profitability



1065-XHD

Electric Tugger

When the job calls for pulling, pushing, lifting or turning, our products help you get the job done **safely**.

(262) 250-7740
sales@ek-tech.com

W194 N11301 McCormick Drive
Germantown, Wisconsin 53022

Electro *Kinetic* Technologies
Ergonomic Solutions for Transport

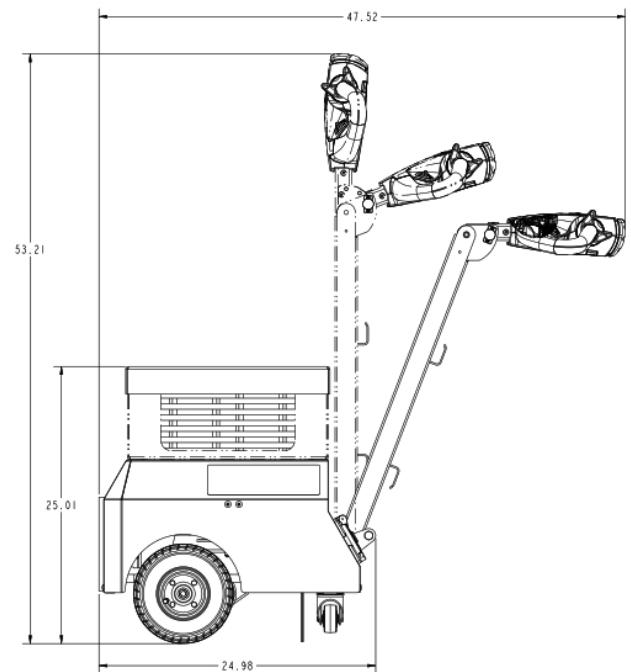
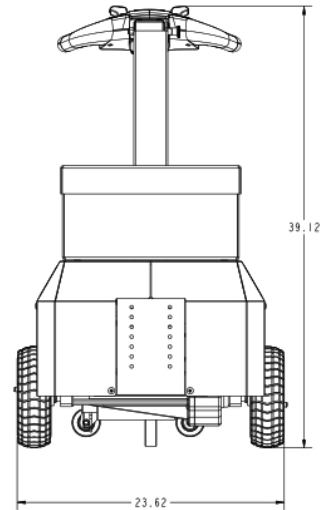


www.ek-tech.com

SPECIFICATIONS

Recommended Max Load:	7500 lbs. on flat surface
Incline Rating:	30 degrees with de-rated load capacity
Length:	25 inches
Width:	24 inches
Variable Speed Range:	0 to 1.5 mph low setting, 0 to 3.0 mph high setting
Battery:	70 Ah, AGM, 8 hours of operation.
Battery Charger:	Internal, 120/240 VAC, 47-63 Hz, UL, cUL, CE
Recharging Time:	Approximately 4 hours
Parking Brake:	Electromagnetic
Chassis:	Welded steel with powder coated finish
Drive Wheel:	Puncture proof, non-marking
Operating Temperature:	-40° C to +70° C
Charging Temperature:	-23° C to +60° C
Noise Level:	< 65 dBA
Ingress Protection:	IP 42, Controller IP 54

DIMENSIONS



When the job calls for pulling, pushing, lifting or turning, our products help you get the job done **safely**.

(262) 250-7740
sales@ek-tech.com

W194 N11301 McCormick Drive
Germantown, Wisconsin 53022

Electro *Kinetic* Technologies
Ergonomic Solutions for Transport



www.ek-tech.com

OPTIONS



Part No: 0244-300-02

Pintle with ball hitch

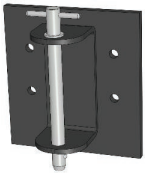
- 2" stainless steel ball. Other sizes available.
- Made of forged steel
- Finish, black powder coat



Part No: 0244-302

Pintle hook coupler

- Drawbar eye dimensions 2" to 3" ID with 1 1/4" to 1 5/8".
- Made of forged steel
- Finish, black powder coat



Part No: 0244-350

Hitch with quick 1/2" release pin.



Part No: 0706-60

8-foot power cord.



Part No: 1065-HD-BLW

1065-XHD tugger with black drive wheels instead of standard grey non-marking.

OPTIONS



Part No: 0244-301-35

Ball hitch

- 2" stainless steel ball. Other sizes available.
- Finish, black powder coat



Part No: 0244-310

Manual round bar hitch

- Lift & turn to lock open.
- 1 1/4" diameter solid steel bar
- 2" high opening



Part No: 0244-312

Double hole hitch for pin connections.



Part No: 0244-302-01

Ring coupler for mounting on cart.

- 10,000 lb. towing capacity
- Latches in vertical position when not in use for safety
- Works with 0244-302 hitch



Part No: 1031-HORN

115 decibel, 385 Hz, industrial forklift type horn. Recommended only for heavy industrial applications.

When the job calls for pulling, pushing, lifting or turning, our products help you get the job done **safely**.

(262) 250-7740
sales@ek-tech.com

W194 N11301 McCormick Drive
Germantown, Wisconsin 53022

Electro *Kinetic* Technologies
Ergonomic Solutions for Transport

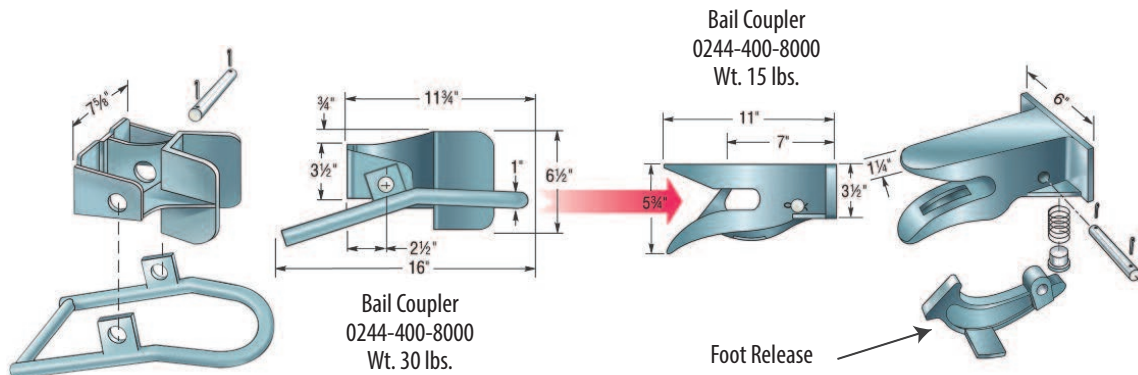


www.ek-tech.com

CART-TO-CART HITCHING SYSTEM: 8,000-POUND TOTAL CAPACITY

Automatic Coupling System

Automatic coupling system where either tugger-to-cart or cart-to-cart coupling required. Hitch has guiding system to automatically align bail coupler up for locking. Locking is released by pushing down on hitch with foot. Can be welded to carts or pre-drilled for bolt attachment.



When the job calls for pulling, pushing, lifting or turning, our products help you get the job done **safely**.

(262) 250-7740
sales@ek-tech.com

W194 N11301 McCormick Drive
Germantown, Wisconsin 53022

Electro *Kinetic* Technologies
Ergonomic Solutions for Transport



www.ek-tech.com