

Electro *Kinetic* Technologies

Ergonomic Solutions for Transport



PROUDLY
MADE IN AMERICA

REDUCE employee injuries from strain and fatigue

SAFELY transport materials across various surfaces and inclines

IMPROVE your ergonomic footprint

BOOST employee morale and productivity

INCREASE your bottom line profitability



1065

Electric Tugger

When the job calls for pulling, pushing, lifting or turning, our products help you get the job done **safely**.

(262) 250-7740
sales@ek-tech.com

W194 N11301 McCormick Drive
Germantown, Wisconsin 53022

Electro *Kinetic* Technologies
Ergonomic Solutions for Transport



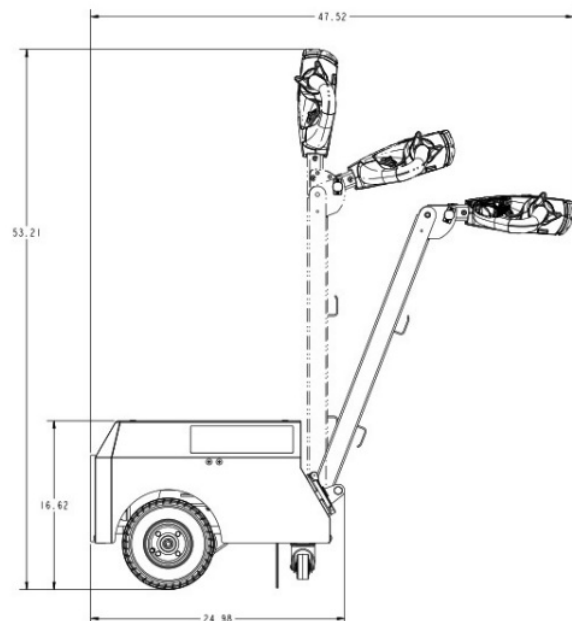
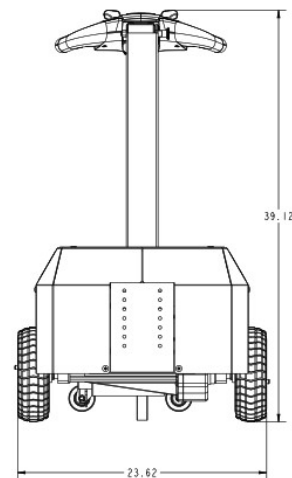
www.ek-tech.com

ELECTRO KINETIC TECHNOLOGIES

SPECIFICATIONS

Recommended Max Load:	5000 lbs. on flat surface
Incline Rating:	30 degrees with de-rated load capacity
Length:	25 inches
Width:	24 inches
Variable Speed Range:	0 to 1.5 mph low setting, 0 to 3.0 mph high setting
Battery:	70 Ah, AGM, 8 hours of operation.
Battery Charger:	Internal, 120/240 VAC, 47-63 Hz, UL, cUL, CE
Recharging Time:	Approximately 4 hours
Parking Brake:	Electromagnetic
Chassis:	Welded steel with powder coated finish
Drive Wheel:	Puncture proof, non-marking
Operating Temperature:	-40° C to +70° C
Charging Temperature:	-23° C to +60° C
Noise Level:	< 65 dBA
Ingress Protection:	IP 42, Controller IP 54

DIMENSIONS



When the job calls for pulling, pushing, lifting or turning, our products help you get the job done **safely**.

(262) 250-7740
sales@ek-tech.com

W194 N11301 McCormick Drive
Germantown, Wisconsin 53022

Electro *Kinetic* Technologies
Ergonomic Solutions for Transport



www.ek-tech.com

OPTIONS



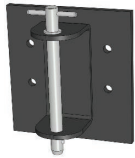
Part No: 0244-300-02
Pintle with ball hitch

- 2" stainless steel ball. Other sizes available.
- Made of forged steel
- Finish, black powder coat



Part No: 0244-302
Pintle hook coupler

- Drawbar eye dimensions 2" to 3" ID with 1 1/4" to 1 5/8".
- Made of forged steel
- Finish, black powder coat



Part No: 0244-350
Hitch with quick 1/2" release pin.



Part No: 0706-60
8-foot power cord.



Part No: 0706-50
Hospital grade 8-foot power cord.



Part No: 1065-BLW
Tugger with black drive wheels instead of standard grey non-marking.



Part No: 1031-HORN
115 decibel, 385 Hz, industrial forklift type horn. Recommended only for heavy industrial applications.

OPTIONS



Part No: 0244-301-35
Ball hitch

- 2" stainless steel ball. Other sizes available.
- Finish, black powder coat



Part No: 0244-310
Manual round bar hitch

- Lift & turn to lock open.
- 1 1/4" diameter solid steel bar
- 2" high opening



Part No: 0244-312
Double hole hitch for pin connections.



Part No: 0244-302-299
Ring coupler for mounting on cart.

- 5,000 lb. towing capacity
- Latches in vertical position when not in use for safety
- Works with 0244-302 and 0244-310 hitches



Part No: 0244-301-12
Ball coupler hitch for mounting on carts.

- 5,000 lbs. towing capacity
- Latches in vertical position when not in use for safety
- Works with 0244-301-25 and 0244-302-35 hitches



Part No: 0244-301-25
Ball coupler hitch for mounting on carts.

- 5,000 lbs. towing capacity
- Safety bar for protection
- Works with 0244-301-12 to allow connection of multiple carts in a train

When the job calls for pulling, pushing, lifting or turning, our products help you get the job done **safely**.

(262) 250-7740
sales@ek-tech.com

W194 N11301 McCormick Drive
Germantown, Wisconsin 53022

Electro *Kinetic* Technologies
Ergonomic Solutions for Transport



www.ek-tech.com

PONY EXPRESS LAUNDRY HAULING SYSTEM



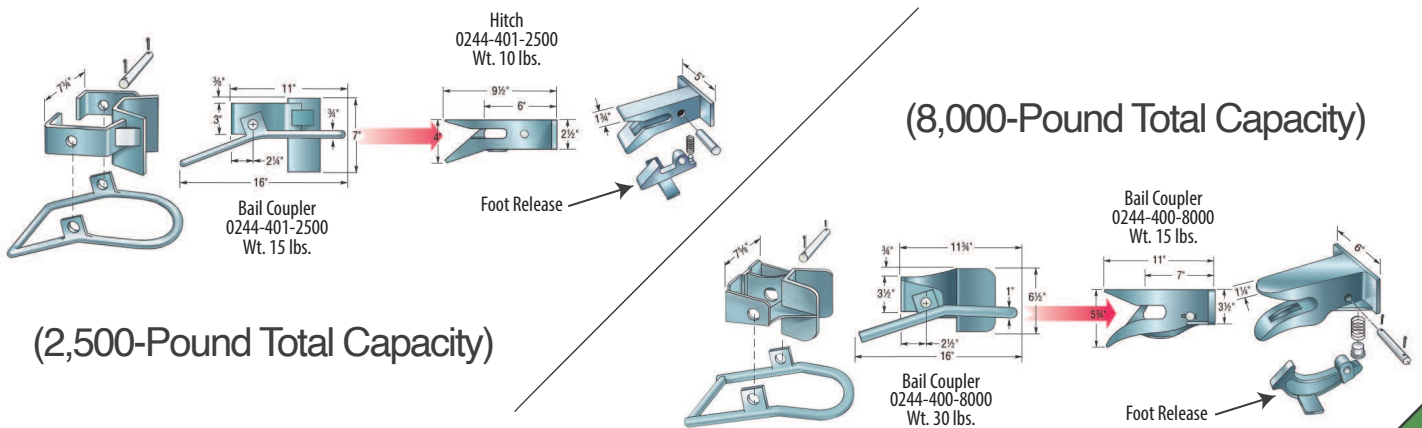
This unique hauling system provides a safe and secure method for moving up to three polyethylene laundry bin at one time using the Pony Express motorized tugging *without any modifications to the bins* and is compatible with any MOD72P series bin or equivalent. The bin-to-bin hitch can be installed and removed in less than 45 seconds.

[Click here to see a video of this system in action.](#)

CART-TO-CART HITCHING SYSTEM

Automatic Coupling System

Automatic coupling system where either tugging-to-cart or cart-to-cart coupling required. Hitch has guiding system to automatically align bail coupler up for locking. Locking is released by pushing down on hitch with foot. Can be welded to carts or pre-drilled for bolt attachment.



When the job calls for pulling, pushing, lifting or turning, our products help you get the job done **safely**.

(262) 250-7740
sales@ek-tech.com

W194 N11301 McCormick Drive
Germantown, Wisconsin 53022

Electro Kinetic Technologies
Ergonomic Solutions for Transport



www.ek-tech.com