

Electro *Kinetic* Technologies

Ergonomic Solutions for Transport



PROUDLY
MADE IN AMERICA

REDUCE employee injuries from strain and fatigue

SAFELY transport materials across various surfaces and inclines

IMPROVE your ergonomic footprint

BOOST employee morale and productivity

INCREASE your bottom line profitability



1061-HD LITHIUM

Electric Tugger

When the job calls for pulling, pushing, lifting or turning, our products help you get the job done **safely**.

(262) 250-7740
sales@ek-tech.com

W194 N11301 McCormick Drive
Germantown, Wisconsin 53022

Electro *Kinetic* Technologies
Ergonomic Solutions for Transport



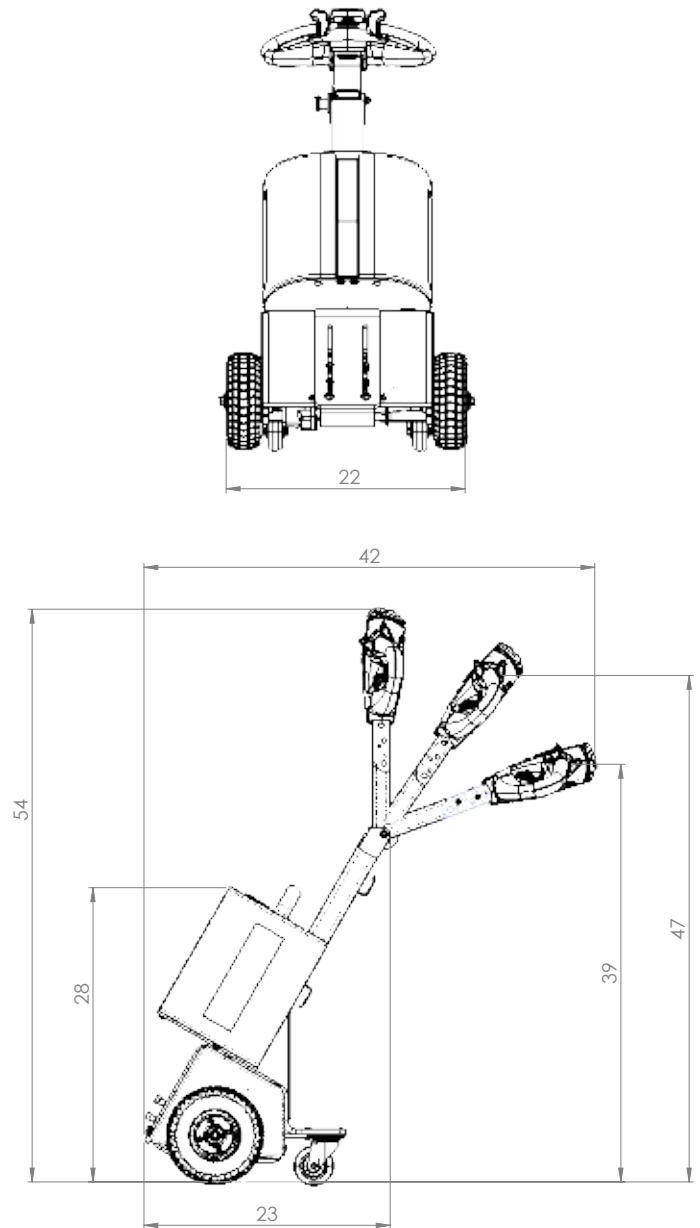
www.ek-tech.com

ELECTRO KINETIC TECHNOLOGIES

SPECIFICATIONS

Recommended Max Load:	2000 lbs. on flat surface
Incline Rating:	Consult factory
Length:	23 to 42 inches adjustable
Width:	22 inches
Variable Speed Range:	0 to 1.5 mph low setting, 0 to 3.0 mph high setting
Battery Pack:	24 VDC 40 Ah, swappable lithium iron phosphate
Battery Charger:	External, 120/240 VAC, 47-63 Hz, UL, cUL, CE
Recharging Time:	Approximately 2 hours
Parking Brake:	Electromagnetic
Chassis:	Welded steel with powder coated finish
Drive Wheel:	Puncture proof, non-marking
Operating Temperature:	-40° C to +70° C
Charging Temperature:	-23° C to +60° C
Noise Level:	< 65 dBA
Ingress Protection:	IP 42, Controller IP 54

DIMENSIONS



When the job calls for pulling, pushing, lifting or turning, our products help you get the job done **safely**.

(262) 250-7740
sales@ek-tech.com

W194 N11301 McCormick Drive
Germantown, Wisconsin 53022

Electro *Kinetic* Technologies
Ergonomic Solutions for Transport



www.ek-tech.com

OPTIONS



Part No: 99-300-0046
Base hitch with adjustable manual hook. Custom hooks available.



Part No: 99-500-0005
Hitch with electronic locking. Custom hooks available.



Part No: 333339
24 VDC, 40 Ah swappable lithium iron phosphate battery with advanced battery monitoring system. Bluetooth® capability and app to monitor battery status on smart phones.



Part No: 333381
24 VDC lithium iron phosphate battery charging station. Includes 6 foot charging cord.

Shown with p/n 333339 swappable battery pack, NOT INCLUDED.



Part No: 333345
28 lb. ballast weight for added traction on non-dry surfaces.

OPTIONS



Part No: 0244-301-35
Ball hitch

- 2" stainless steel ball. Other sizes available.
- Finish, black powder coat



Part No: 0244-312
Double hole hitch for pin connections.



Part No: 0244-300-02
Pintle with ball hitch

- 2" stainless steel ball. Other sizes available.
- Made of forged steel
- Finish, black powder coat



Part No: 0244-302
Pintle hook coupler

- Drawbar eye dimensions 2" to 3" ID with 1 1/4" to 1 5/8".
- Made of forged steel
- Finish, black powder coat



Part No: 0244-349
Hitch with quick 1/2" release pin.

When the job calls for pulling, pushing, lifting or turning, our products help you get the job done **safely**.

(262) 250-7740
sales@ek-tech.com

W194 N11301 McCormick Drive
Germantown, Wisconsin 53022

Electro *Kinetic* Technologies
Ergonomic Solutions for Transport



www.ek-tech.com